



The **IK FOAM Pro 2 ALK** sprayer is equipped with the highest performance in terms of safety and ease of use. Manufactured for the generation of dry and long lasting foam. Designed to be used with alkalis chemical agents with surfactant properties (surface active). They are intended for use in different sectors such as cleaning, disinfection and automotive.



### Sectors in which to use

- Cleaning and disinfection
- Automotive and detailing

### Products with which to use

- optimal** Disinfectants, neutral products and alkalis with surfactant properties



### 3 TYPES OF FOAM



### Technical information

Technical information	FOAM Pro 2 ALK
VALVE	Set to 3 bar (43.5 psi) with depressurization option
STANDARD NOZZLES	Special nozzle with fan-type foam
USEFUL CAPACITY	1,25 L. - 42 oz
TOTAL CAPACITY	1,9 L. - 64 oz
LITRES/MIN. 3 BAR	0,7 l/min - 0.18 gal/min
GROSS WEIGHT	0,70 kg - 1.54 lb
NET WEIGHT	0,56 kg - 1.23 lb

### Logistics data

Logistics data	FOAM Pro 2 ALK
CODE	81686
EAN	84.14685.10233.1
CONDITIONING	6 units
UNITS PER PALLET	90 units
DIMENSIONS PER PALLET EU	1200 x 800 x 960

### Functional information



Nozzle with a wide fan for greater coverage.



Wide filling mouth.



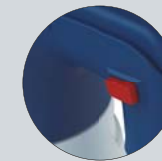
Translucent tank with level indicator.



Wide base for greater stability.



Depressurizable safety valve.



Safety lock to prevent accidental activation.



Includes color-coded content identifiers.



## ACCESSORIES



Personalize your sprayer adapting it to your application needs (height, hard-to-reach areas...)



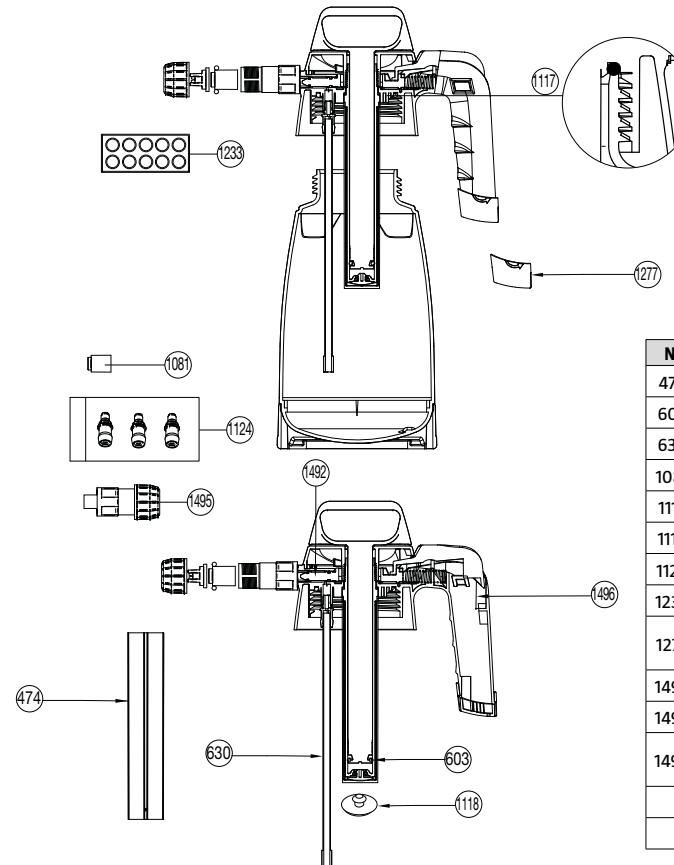
**CONTENT IDENTIFIER IK 1.5/2**  
Reference 8.16.71.900  
Colour caps to identify deposit content between devices of the same line.



## SPARE PARTS



Extend the service life of your sprayer easily replacing parts



N.	COD.	Q	SPARE PARTS NAME
474	81771305	1	CYLINDER GUARD
603	2239943916	1	ROUND GASKET Ø15
630	83841320	1	TUBE WITH FILTER
1081	81776601	1	COMPLETE FELT HOLDER
1117	22317990	1	ROUND GASKET
1118	838053143	1	CHAMBER VALVE
1124	81776900	1	BAG WITH MIXERS
1233	81776313	1	FILTER (10 units)
1277	81671900	1	CONTENT IDENTIFICATION PIECE
1492	81777603	1	SHAFT WITH JOINT
1495	81686602	1	ALK COMPLETE ADAPTER
1496	81686801	1	IK FOAM ALK COMPLETE CHAMBER
	81686200	1	INSTRUCTION SHEET
	81686201	1	PACKAGING